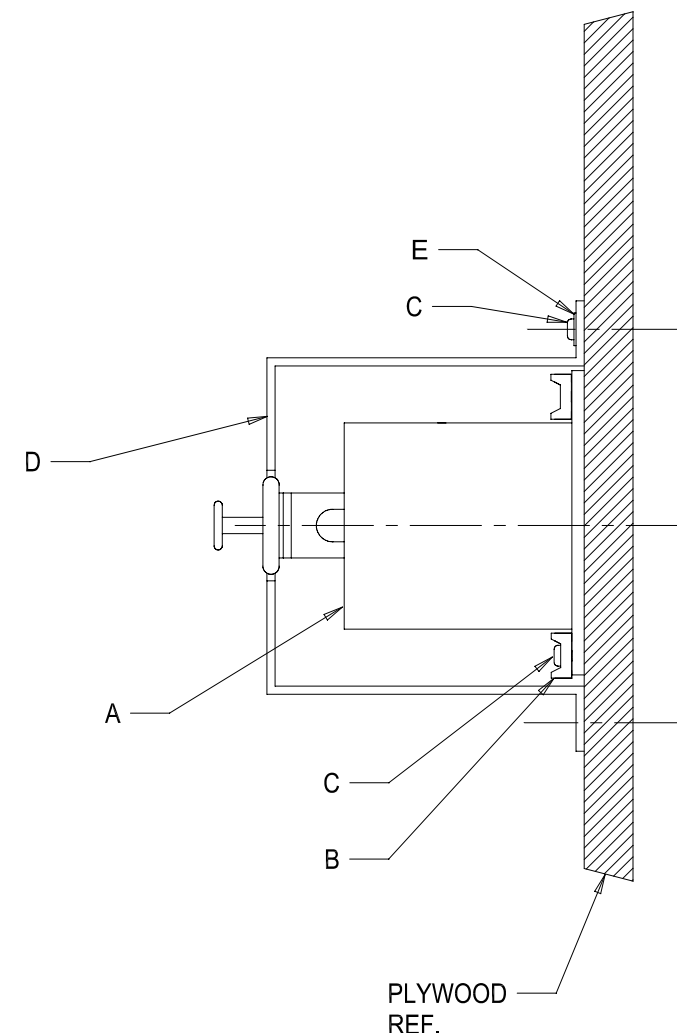
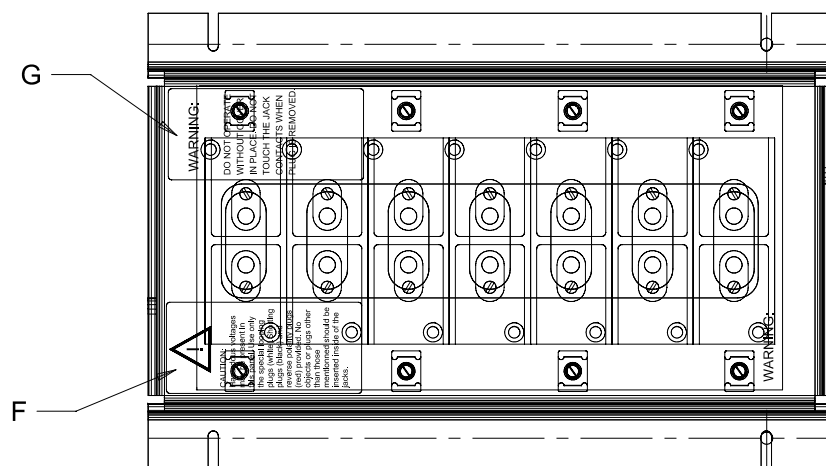


REVISIONS

1	DATE APPR DATE
2	WECO-1787 INC. LP 28 SEPT 2012
3	WECO-1819 INC. LP 17 DEC 2012



PART LIST

ITEM	DESCRIPTION	QTY
G	LABEL "WARNING"	1
F	LABEL "CAUTION"	1
E	WASHER SEAL #8	4
D	COVER LEXAN MOLDED	1
C	SCREW TAPPING, PAN HEAD, # 8 X 5/8" L	12
B	CABLE MOUNT, #8 SCREW	8
A	TERMINAL ASS'Y, 7 POSITIONS	1

RELEASED

MOUNTING INSTRUCTIONS:

- INSTALL TERMINAL ADC ASS'Y (A) ON PLYWOOD AND CABLE MOUNT (B) WITH SCREW (C).
- INSTALL COVER (D) ON THE PLYWOOD USING WASHER SEAL (E) AND SCREW (C).
- INSTALL LABELS (F & G) ON COVER (D)

QTE PAR - # / QTY PER - #	ITEM	NUMERO DE PIECES POSITRON POSITRON PART NUMBER	DESCRIPTION	NUMERO DE PIECES MANUF. MFG PART NUMBER	REF DES	NOTE	
LISTE DE PIECES / PARTS LIST							
		<p>CONFIDENTIEL Le contenu de ce document est la propriété exclusive de Positron Industries Inc. à l'exception des renseignements dont Positron Industries Inc. a autorisé par écrit la diffusion, le détenteur du document doit: 1) en assurer le caractère confidentiel et empêcher la divulgation et la diffusion totale ou partielle du contenu à un tiers; 2) l'utiliser aux fins d'exploitation et d'entretien seulement.</p>					
		<p>CONFIDENTIAL The information contained in this document is the property of Positron Industries Inc., except as specifically authorized in writing by Positron Industries Inc. The holder of this document: 1) shall keep all information contained herein confidential and shall protect same in whole or in part from disclosure and dissemination to all third parties and 2) shall use same for operating and maintenance purposes only.</p>					
				 POSITRON MONTREAL TORONTO NEW YORK			
				TITRE/TITLE KIT, TERMINAL ASS'Y ADC FOR 3 CARD SHELF CABINET HVI			
		TOLERANCES  .XX .XXX DIA + + .02 + .010 + .003		REF SCALE ECHELLE B SIZE		DES. PAR/DRAWN BY LUC POULIN 22 SEPT 2008	VERIF. PAR/CHECKED BY MANUF./MFG APPR. PAR/APPR. BY
MAT: FIN:		PROCHAIN ASS: NEXT ASSY: UTIL. SUR: USED ON:		PAGE/SHEET 1 DE 1 NUMERO DE DESSIN/DRAWING NO. 925W000039-001		DATE DE REL. REL. DATE	