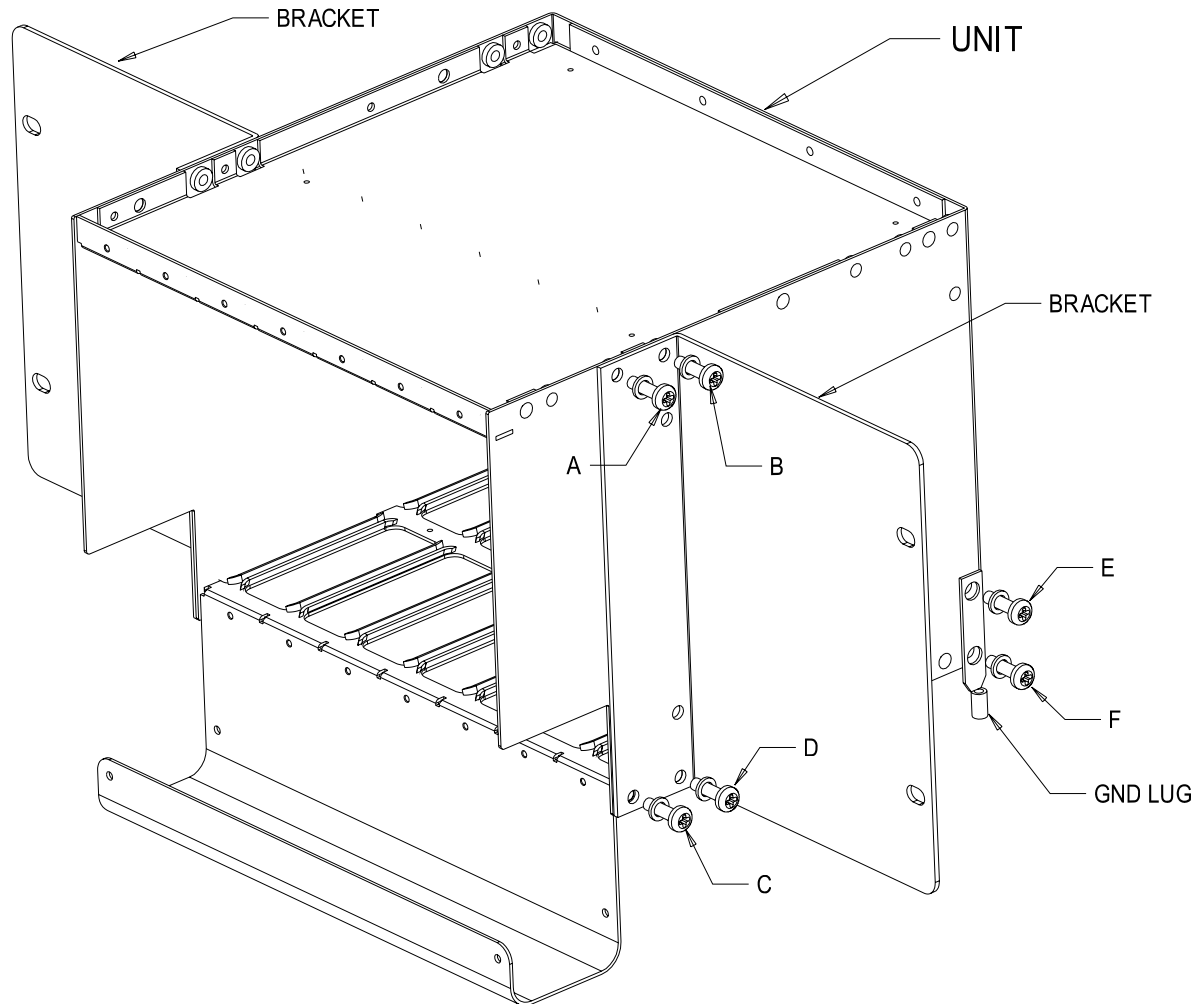


# INSTRUCTION SHEET FOR BRACKET 19" AND 23"



## MOUNTING INSTRUCTIONS:

- 1- INSTALL BRACKETS ON THE UNIT,  
USE SCREW & LOCK WASHER A, B, C & D
- 2- CRIMP GROUND CABLE ON THE GROUND LUG  
( LUG TO COME FROM SHELF KIT ).  
SUGGESTED TOOL: CT-1701 BY:PANDUIT
- 3- INSTALL GROUND LUG ON THE UNIT,  
USE SCREW & LOCK WASHER E & F,  
LEFT SIDE OR RIGHT SIDE.
- 4- INSTALL UNIT ON THE RACK

## KIT INCLUDES :

- MOUNTING BRACKET ( QTY: 2 )
- SCREW 10-32, 3/8"L ( QTY: 10 )
- LOCK WASHER # 10 ( QTY: 10 )

924-010444-001

REV.01